



Preliminary Information

MUSE 2

Sound appliance
32-bit EISC Microcontroller

Description.

MUSE2 (AMX32S411), 32-bit EISC(SE3208) micro-controller is designed to provide a cost effective and high performance Micro-controller solution as an Audio Processor.

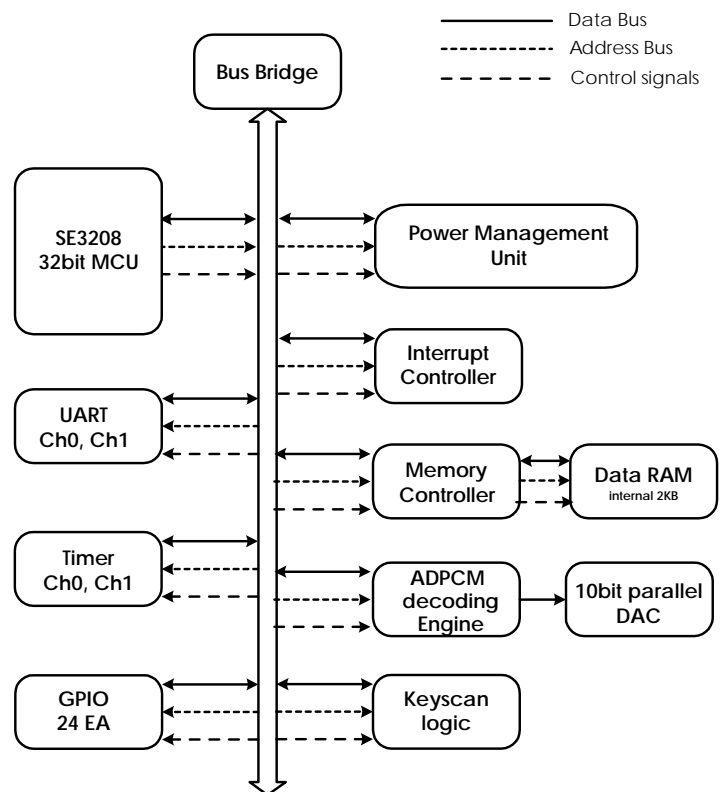
MUSE2 performs ADPCM (ITU G.726 standard format) audio data decoding operation and maintains 4 external memory banks which includes maximum 32MB data, respectively.

Also, AMX32S411 contains on-chip 10bit parallel DAC, 2KB data RAM, Power management unit, 2Ch UART, 2Ch Timer, interrupt controller and key-scan logic, etc.

MUSE2 can be used for Battery-operated & cost sensitive speaking machine applications.

Features.

- . Built in 32bit EISC core
- . ADPCM Decoding engine
(designed as recommendation G.726)
 - Supports 40,32,24 and 16Kbps ADPCM decoding mode.
 - Supports 8bit mono PCM data output mode.
- . 2Ch. UART
- . 2Ch. Timer
- . GPIO (24EA)
- . Key Scan module (Can be used as wake-up circuit.)
 - Supports up to 5X6 scan matrix
- . Interrupt controller (Supports 2 External IRQ source)
- . Embedded 2KB Data RAM
- . On Chip 10-bit parallel DAC
- . Supports 4 External memory banks.
 - Each contains up to 32MB data.
- . Power Management Unit
 - Supporting power saving modes (Slow / Sleep)
- . 0.35um Standard CMOS Process
- . 3.3V operation (+/- 10%)
- . 64PIN TQFP housing
- . Operating frequency range : 1MHz ~ 10MHz



Application Areas.

- . Speaking machine (saying story book, speaking toys, speaking guidance systems, etc.)
- . Low-End general micro-processor application.

Available Documents

Data Book, User's Manual, Software Development Guide

For More Information Contact:

Representative : Solution Way Co., Ltd.

Tel : +82-31-605-3800 Fax : +82-31-605-3801
www.solutionway.com E-mail: ydlee@solutionway.com

