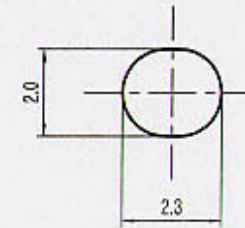
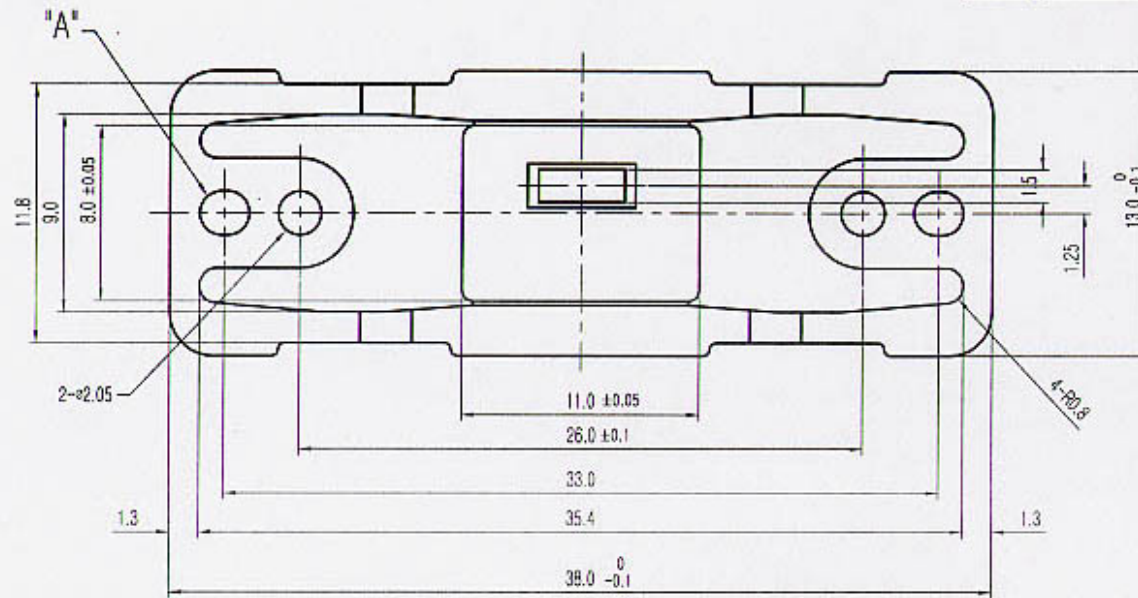
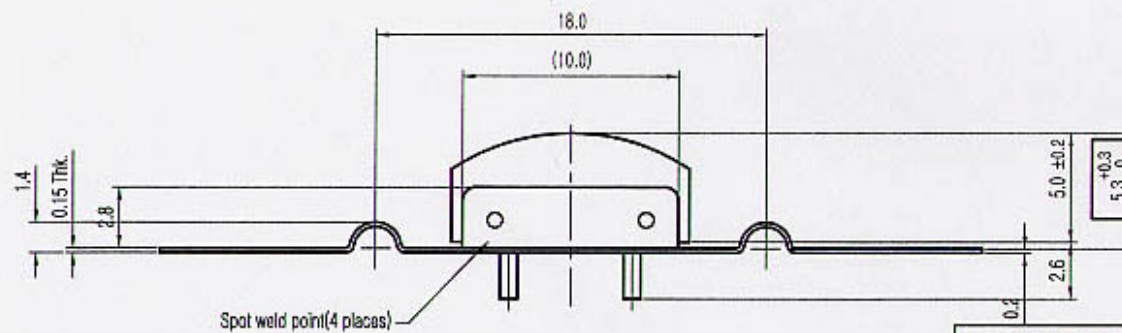


NO.	PART NO.	DESCRIPTION	Q'TY	SPECIFICATION	REMARKS
1		HEAD HOLDER(JSR11xx-s)	1	SUS301/0.17Thk.	CLEANING
2		M/G READ HEAD (1TRK)	1	5mm	



Detail A (S=N/S)



NOTE

1. Material : SUS301 / 0.17Thk.
2. Finished : Surface over cleaning.
3. Must be remove all burr & dents.

Specifications

Inductance	mH	28±30%
D.C Resistance	Ohm	140±25%
Recording Density	BPI	210
Tape Speed	IPS	7.5
Read Output	mVp-p	35min
Insulation Resistance	M Ohm	20 (100V D.C)
Track Width	mm	1.5

SIGNATURES		DATE				
DR	O.K.H	030319				
CHK						
APP						
APP						
MATERIAL		NOTE : No.1		TITLE		
FINISHED		NOTE : No.2		SINGLE HEAD HOLDER (JSR-11XX)		
		MODEL NO.	JSR-11xx-s	REVISION NO.		
		PART NO.	ASSY-HEAD	A		
		UNIT : MM	SCALE : N / S	SHEET 1 OF 1		

REV. NO.	DATE	HISTORY & REASON	CHECK
△			
△	199 . . .		