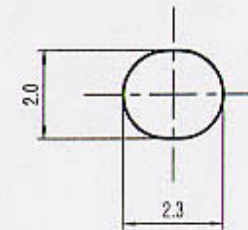
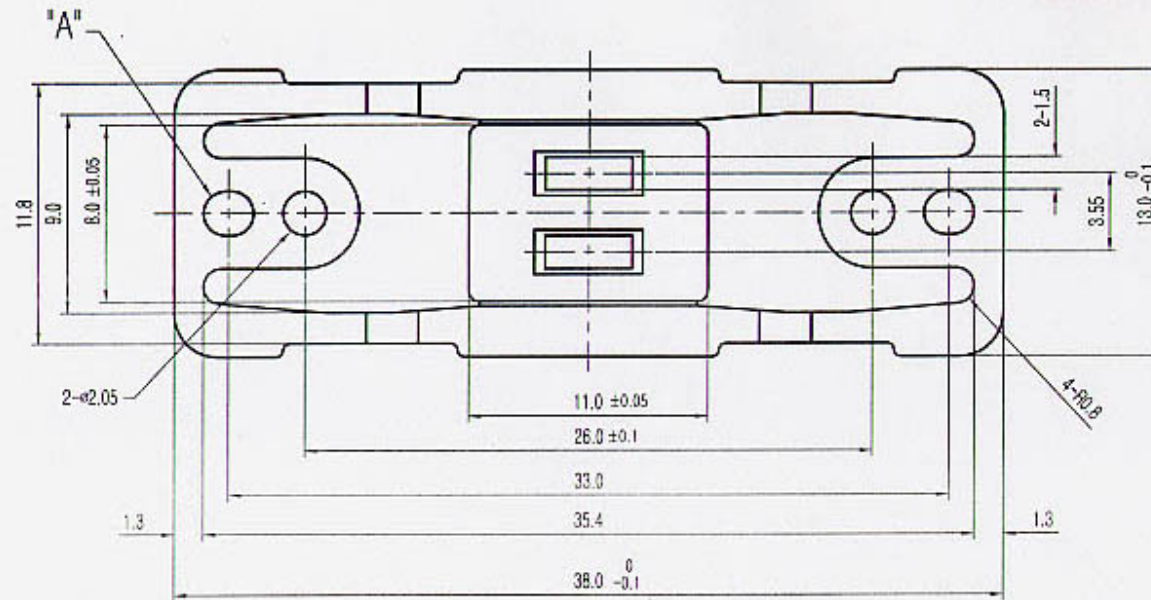
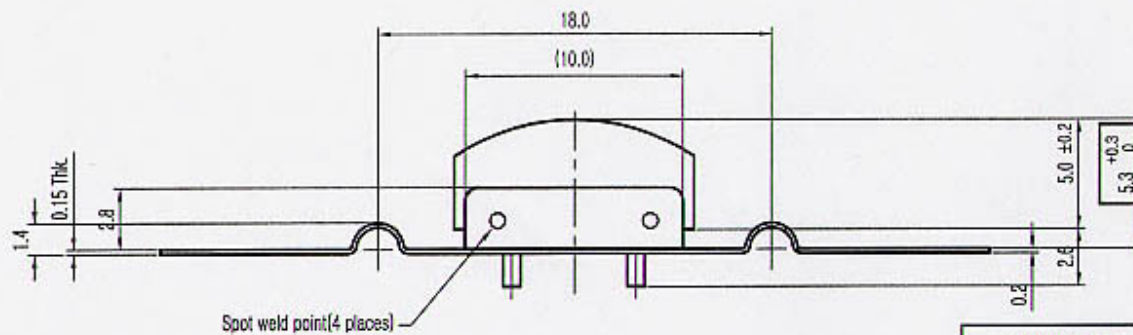


NO.	PART NO.	DESCRIPTION	Q'TY	SPECIFICATION	REMARKS
1		HEAD HOLDER(JSR19XX)	1	SUS301/0.17Thk.	CLEANING
2		M/G READ HEAD (2TRK)	1	5mm	



Detail A (S=N/S)



NOTE

1. Material : SUS301 / 0.17Thk.
2. Finished : Surface over cleaning.
3. Must be remove all burr & dents.

Specifications

Inductance	mH	28±30%
D.C Resistance	Ohm	140±25%
Recording Density	BPI	210
Tape Speed	IPS	7.5
Read Output	mVp-p	35min
Insulation Resistance	M Ohm	20 (100V D.C)
Track Width	mm	1.5

SIGNATURES		DATE			
DR	O.K.H	030319			
CHK					
APP					
APP					
MATERIAL		NOTE : No.1		TITLE	
FINISHED		NOTE : No.2		DUAL HEAD HOLDER (JSR-19XX)	
MODEL NO.		JSR-19XX		REVISION NO.	
PART NO.		ASSY-HEAD		A	
UNIT : MM		SCALE : N / S		SHEET 1 OF 1	

REV. NO.	DATE	HISTORY & REASON	CHECK
△			
△	99 . . .		